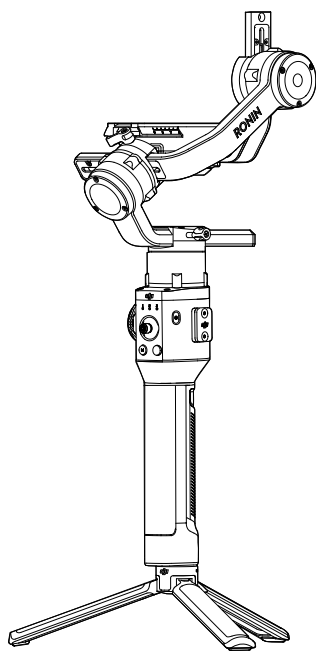


RONIN-S User Manual

V1.2 2018.09



Searching for Keywords

Search for keywords such as “battery” and “install” to find a topic. If you are using Adobe Acrobat Reader to read this document, press Ctrl+F on Windows or Command+F on Mac to begin a search.

Navigating to a Topic

View a complete list of topics in the table of contents. Click on a topic to navigate to that section.

Printing this Document

This document supports high resolution printing.

Using this Manual

Legend



Warning



Important



Hints and Tips



Reference

Before You Begin

The following documents have been produced to help you safely operate and make full use of your RONIN™-S.

Ronin-S in the Box

Ronin-S Quick Start Guide

Ronin-S User Manual

Ronin-S Disclaimer and Safety Guidelines

Check all of the included parts listed in the In the Box manual. Read this entire User Manual and watch the informational and tutorial videos on the product page of DJI's official website (<http://www.dji.com/ronin-s>). Read the Disclaimers and Safety Guidelines to understand your legal rights and responsibilities. If you have any questions or problems during the installation, maintenance or use of this product, please contact DJI or a DJI authorized dealer.

Download the Ronin App

Search "Ronin" in the App Store or Google Play and then follow instructions for installation.



iOS 9.0 or above



Android 4.4 or above



Ronin App

* Ronin app supports iOS 9.0 (or later) or Android 4.4 (or later).

Download DJI Pro Assistant for Ronin

Download DJI Pro Assistant for Ronin at: <http://www.dji.com/ronin-s/info#downloads>

Contents

Using this Manual	1
Legend	1
Before You Begin	1
Download the Ronin App	1
Download DJI Pro Assistant for Ronin	1
Contents	2
Introduction	3
Ronin-S Diagram	4
Getting Started	5
Mounting the Grip	5
Attaching the Extended Grip	5
Mounting the Camera	6
Balancing	8
Before Balancing	8
Balancing the Vertical Tilt	8
Balancing Depth for the Tilt Axis	9
Balancing the Roll Axis	9
Balancing the Pan Axis	10
Grip and Built-in Battery	11
Charging	11
Using the Grip	11
Safety Guidelines	12
Activating Ronin-S	15
Operation	15
Ronin App Settings	15
Button Functions	22
Operation Modes	25
Updating Firmware	26
Maintenance	26
Specifications	27

Introduction

The DJI Ronin-S is a professional 3-axis single handled gimbal that's specifically designed for DSLR and mirrorless cameras. It is compatible with almost any DSLR or mirrorless camera setup on the market. The Ronin-S also can be mounted to a tripod or a car for shooting, with operating speeds of 75 kph*. There are many modes of operation such as SmoothTrack and Lock mode, and the newly added Sport Mode allows you to capture fast-moving scenes effortlessly.

The Ronin-S comes with an array of buttons that allows you to control the gimbal's movement, switch control profiles and also working modes easily. Used with the provided camera control cables, the Ronin-S is able to control shutter, recording and focus. The accessory ports and power ports allow accessories such as an external wireless receiver or Focus motor.

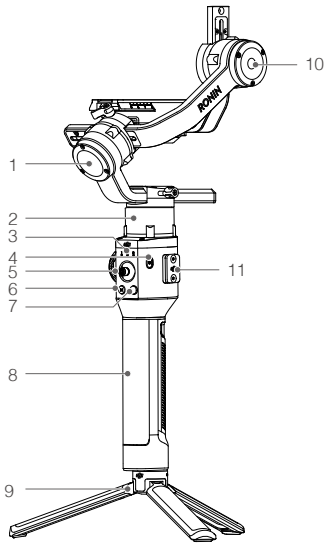
The gimbal and grip are detachable, with a battery system in the grip with a capacity of 2400 mAh, providing a maximum operating time up to 12 hours**.

After connecting to the Ronin App, gimbal movement control and the parameter settings are easily achievable with intelligent functions such as Panorama, Timelapse, Motionlapse and Track.

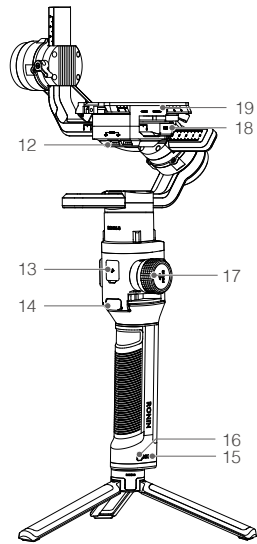
* Tested when handholding the Ronin-S for video capture.

** Tested when the Ronin-S is properly balanced.

Ronin-S Diagram



1. Roll Motor
2. Pan Motor
3. Profile LED Indicators
4. Power Button
5. Joystick
6. M Button
7. Camera Control Button
8. Grip
9. Extended Grip/Tripod
10. Tilt Motor

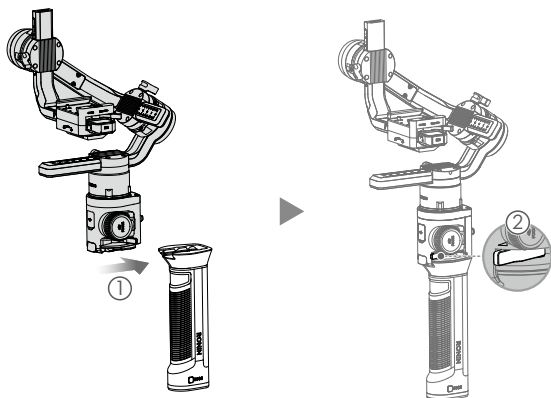


11. 8-pin Port/Cover
12. 12 V/2 A Accessory Power Port
13. USB-C Port
14. Trigger
15. Battery Level Indicators
16. Grip Power Button
17. Focus Wheel
18. Camera Control Port (RSS Port)
19. Camera Mounting Plate

Getting Started

Mounting the Grip

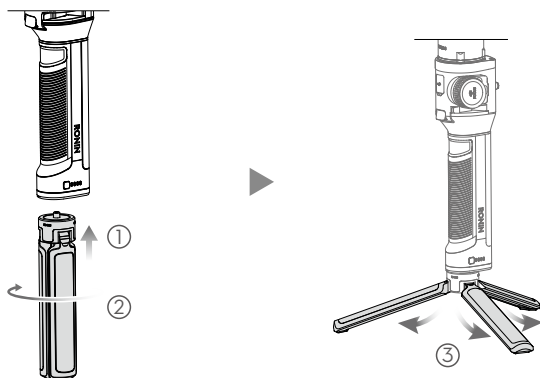
Attach the gimbal to the grip by sliding it into the dovetail mount. Toggle the lever to the locked position.



⚠ The Ronin-S' power/data ports and connectors are not waterproof. Ensure to protect them from harmful dust and water during use to avoid damage.

Attaching the Extended Grip

To attach the provided extended grip to the gimbal, toggle the safety lock to the locked position, and expand as shown.



Mounting the Camera

Camera Size Requirements

The maximum depth from the center of gravity on the camera base plate is 98 mm. The maximum height, measured from the top of the camera base plate is 150 mm. The maximum width is 205 mm.



- Make sure the camera is powered off during installation.
 - It is recommended to use soft connection cables to avoid obstructing camera movement.
-

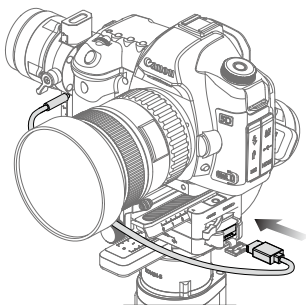
Supported Cameras and Lenses

Please refer to Ronin-S product page (www.dji.com/ronin-s) for most updated Ronin-S Camera Compatibility List.

Camera Connections

The camera control button accesses different functions depending on the camera model. Connect a provided camera control cable to the RSS port on the gimbal and camera.

1. Connect the RSS-IR Control Cable to the RSS port on the gimbal, and then point the infrared light to the camera's receiver as shown below. You can use the small hook and loop strap to secure the RSS-IR Control Cable to the gimbal. The figure shown below takes the Canon 5D Mark III as an example. Please adjust the infrared light position according to your camera type.



2. Connect the Multi-Camera Control Cable (Type-C) to cameras with a USB-C port.
3. Connect the Multi-Camera Control Cable (Type-B) to cameras with a Micro USB port.

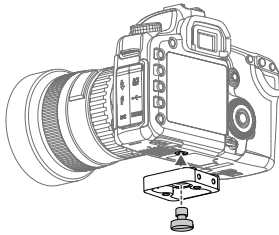
After completing the camera connection and settings, press halfway to auto focus, as you would for the shutter button on most DSLR cameras; press once to start/stop recording; press and hold to take a photo. Please refer to the Ronin-S Camera Compatibility List for details.

- ⚠ • Be sure the Ronin-S is not powered on when plugging/unplugging the RSS cable. Failure to do so may burn out the cable.
- When connecting to cameras with the USB cable, be sure to power on the Ronin-S prior to powering on the camera. Otherwise, camera control may fail.

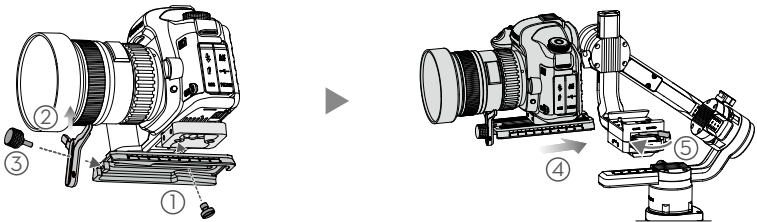
Mounting a Camera

Before mounting the camera, make sure it is prepared ahead of time. Remove the lens cap and make sure the camera's battery and memory card are already inserted.

1. Attach the riser plate* to the bottom of the camera using a flathead screwdriver or coin.

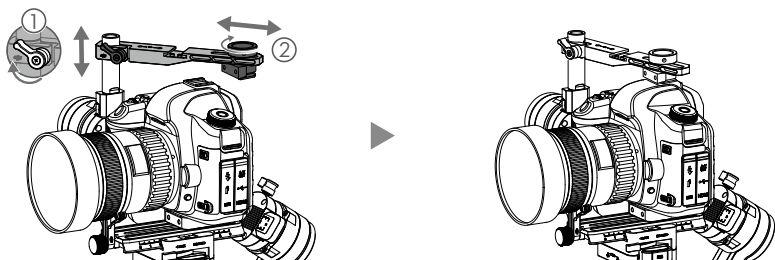


2. Attach the camera mounting plate and lens support. For the best results during setup, use the lens support whenever possible.
3. Slide the camera onto the camera mounting base. When a rough back and forth balance is reached, toggle the lever to the locked position after the safety lock is engaged.



* Mount the riser plate if needed.

- It is recommended to mount the camera using the Top Hotshoe Bracket when mounting the gimbal on a car or shooting in environments when traveling at high speeds where wind forces can affect the gimbal stability. The Top Hotshoe Bracket is sold separately. The installation is shown below.



Balancing

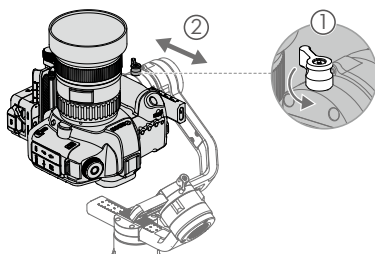
To obtain the best performance from the Ronin-S, proper balancing is essential. Accurate balance is critical for shots where the Ronin-S will be subjected to fast motion or acceleration. Proper balance will also offer longer battery runtimes. There are three axes that need to be accurately balanced prior to turning on the Ronin-S and setting up the software.

Before Balancing

- The camera needs to be fully configured, with all accessories and cables connected, prior to installing and balancing the camera on the gimbal. If the camera has a lens cap, be sure to remove it prior to balancing.
- Be sure that the Ronin-S' motors are powered off while balancing the camera.

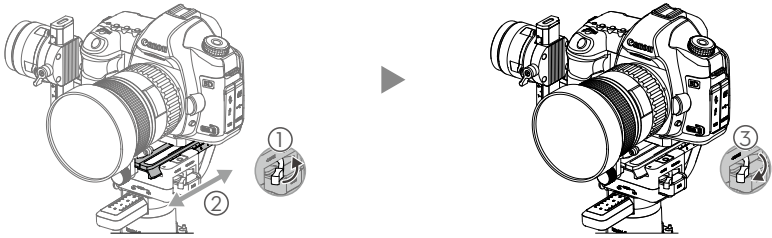
Balancing the Vertical Tilt

- Rotate the tilt axis so that the camera lens is pointing up. Hold the tilt axis motor to ensure the roll axis remains horizontal and check if the camera is top or bottom heavy.
- Loosen the knob ① on the tilt motor and adjust the camera balance ② until the camera stays still without tilting it up or down.
- Tighten the knob.



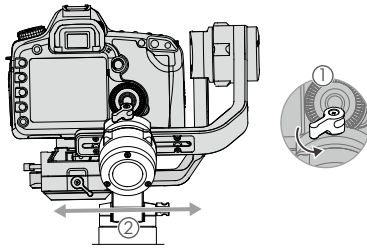
Balancing Depth for the Tilt Axis

1. Rotate the tilt axis so that the camera lens is pointing forward. Hold the tilt motor to check if the camera is front or back heavy.
2. Toggle the lever ① to the unlocked position. Adjust the camera balance ② until the camera stays still when rotating the tilt axis 45° upwards or downwards.
3. Toggle the lever ③ to the locked position.



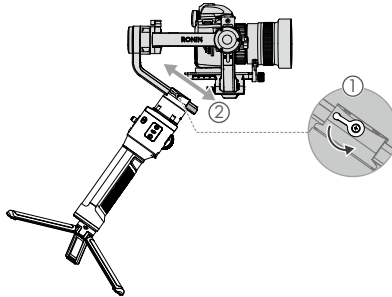
Balancing the Roll Axis

1. Release the tilt motor to check the direction in which the motor swings.
2. Loosen the roll axis knob ① and adjust the camera balance ② until the camera stays still. If the adjustment on this axis is too stiff, you can try to relieve the weight on the roll motor by either lifting up on the camera platform while making an adjustment or tilt the gimbal back a little until the roll arm is parallel with ground.
3. Tighten the knob.



Balancing the Pan Axis

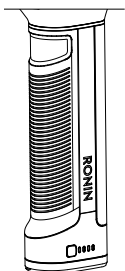
1. Grab the grip and tilt Ronin-S sideways to check for movement along the pan axis.
2. Loosen the knob ① on the pan motor. Adjust the camera balance ② until the camera stays still when rotating the pan axis 45° while lifting the grip.
3. Tighten the knob.



- The knobs on the gimbal can be pulled outwards and repositioned if the knob rotation is hindered.
 - It is necessary to use optional Counterweights if mounting a longer camera system. Visit the official DJI Online Store to learn more.
-

Grip and Built-in Battery

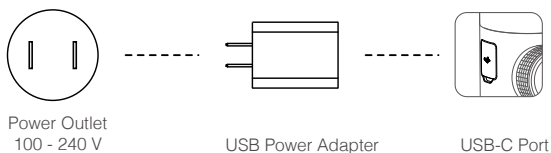
The Grip is for handheld use. The built-in battery within the Grip has a capacity of 2400 mAh and able to power the Ronin-S for up to 12 hours (when the Ronin-S is properly balanced and used under normal conditions).



Charging

Charge the grip using the 24W USB Power Adapter and USB-C cable provided by connecting to the USB-C port on the gimbal.

Charging Time: approx. 2 hours 15 minutes

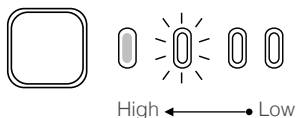


⚠ With the grip attached, you can use a power bank to power the Ronin-S continuously through the USB-C port.

Using the Grip

Press the grip power button once to turn on the grip, and then press and hold the gimbal power button to turn on the gimbal.

Press and hold the gimbal power button to turn off the gimbal. Press once then again and hold to turn off the grip. (The grip automatically powers off if it is not connected to the gimbal or the gimbal is not powered on for 12 hours.)



⚠ When turning on the Ronin-S, ensure to keep it level and steady.

Safety Guidelines

The following terms are used throughout the product literature to indicate various levels of potential harm when operating this product:

NOTICE NOTICE: Procedures, which if not properly followed, create a possibility of physical property damage AND a little or no possibility of injury.

WARNING WARNING: Procedures, which if not properly followed, create the probability of property damage, collateral damage, and serious injury OR create a high probability of superficial injury.



WARNING

Read the user manual to become familiar with the features of this product before operating. Failure to operate the product

correctly can result in damage to the product, personal property, and cause serious injury.

This is a sophisticated product. It must be operated with caution and common sense and requires some basic mechanical ability. Failure to operate this product in a safe and responsible manner could result in injury or damage to the product or other property.

This product is not intended for use by children without direct adult supervision. Do not use with incompatible components or alter this product in any way outside of the documents provided by SZ DJI OSMO TECHNOLOGY CO., LTD. These Safety Guidelines contain instructions for safety, operation and maintenance. It is essential to read and follow all of the instructions and warnings in the user manual, prior to assembly, setup or use, in order to operate the product correctly and avoid damage or serious injury.



WARNING

To avoid fire, serious injury, and property damage, observe the following safety guidelines when using, charging, or storing the grip.

Grip Use

1. DO NOT allow the grip to come into contact with any kind of liquid. DO NOT leave the grip out in the rain or near a source of moisture. DO NOT drop the grip into water. If the inside of the battery comes into contact with water, chemical decomposition may occur, potentially resulting in the battery catching on fire, and may even lead to an explosion.
2. If the grip falls into water by accident, put it in a safe and open area immediately. Maintain a safe distance from the grip until it is completely dry. Never use the grip again, and dispose of the grip properly as described in the Grip Disposal section below.
3. Put out any grip fire using water, sand, fire blanket or a dry powder fire extinguisher.
4. Never use non-DJI batteries. Go to www.dji.com to purchase new batteries. DJI takes no responsibility for any damage caused by non-DJI batteries.
5. Never use or charge swollen, leaky, or damaged grip. If the grip is abnormal, contact DJI or a DJI authorized dealer for further assistance.
6. Never install or remove the grip from the gimbal when it is turned on.
7. The grip should be used in temperatures from -4° F to 104° F (-20° C to 40° C). Use of

the grip in environments above 122° F (50° C) can lead to a fire or explosion. Use of grip below 5° F (-15° C) can lead to permanent damage.

8. DO NOT use the grip in strong electrostatic or electromagnetic environments. Otherwise, the battery control board may malfunction.
9. Never disassemble or pierce the grip in any way or the battery may leak, catch fire, or explode.
10. DO NOT drop or strike batteries. DO NOT place heavy objects on the grip or charger.
11. Electrolytes in the battery are highly corrosive. If any electrolytes make contact with your skin or eyes, immediately wash the affected area with fresh running water for at least 15 minutes, and then see a doctor immediately.
12. DO NOT use the grip if it falls.
13. DO NOT heat batteries. DO NOT put the grip in a microwave oven or in a pressurized container.
14. DO NOT manually short-circuit the grip.
15. Clean grip terminals with a clean, dry cloth.
16. DO NOT attempt to use the grip when the battery level is lower than 1%, as this may lead to permanent battery damage.

Grip Charging

1. Always use a DJI approved charger. DJI takes no responsibility if the grip is charged using a non-DJI charger.
2. Never leave the grip unattended during charging. DO NOT charge the grip near flammable materials or on flammable surfaces such as carpet or wood.
3. DO NOT charge grip immediately after use, because the grip temperature may be too high. It is recommended to charge the grip until it cools down to near room temperature. Charging the grip outside of the temperature range of 41° F to 104° F (5° C to 40° C) may lead to leakage, overheating, or battery damage. The ideal charging temperature is 72° F to 82° F (22° C to 28° C).
4. Disconnect the charger when not in use. Examine the charger regularly for damage to the cord, plug, enclosure, or other parts. DO NOT clean the charger with denatured alcohol or other flammable solvents. Never use a damaged charger.

Grip Storage

1. Keep grip out of the reach of children and pets.
2. If a low-battery warning appears, charge the grip until the battery level reaches between 30%–50% for long-time storage.
3. DO NOT leave the grip near heat sources such as a furnace or heater. DO NOT leave the grip inside of a vehicle on hot days. The ideal storage temperature is 72° F to 82° F (22° C to 28° C).
4. Keep the grip dry.

Grip Maintenance

1. Never use the grip when the temperature is too high or too low.
2. Never store the battery in environments with a temperature higher than 113° F(45°C) or lower than 32° F(0°C).

Travel Notice

1. Before carrying the grip on an airline flight, it must first be discharged, its power level should be lower than 30%. Only discharge the grip in a fireproof location. Store grip in a ventilated location.
2. Keep the grip away from metal objects such as glasses, watches, jewelry, and hairpins.
3. Never transport a damaged grip or a grip with power level higher than 30%.

Grip Disposal

Dispose of the grip in specific recycling boxes only after a complete discharge. DO NOT place the grip in regular trash containers. Strictly follow your local regulations regarding the disposal and recycling of batteries.

NOTICE

Grip Use

1. Make sure the grip is fully charged before using.
2. Stop using the grip when the battery level is low.

Grip Charging

1. The grip is designed to stop charging when it is full. However it is a good practice to monitor the charging progress and disconnect the grip when fully charged.
2. Ensure the grip is turned off before charging.

Grip Storage

1. Discharge the grip to 40%-65% if it will NOT be used for 10 days or more. This can greatly extend the battery life. The grip automatically discharges to below 65% when it is idle for more than 10 days to prevent it from swelling. It takes approximately 1 day to discharge the grip to 65%. It is normal that you may feel moderate heat emitting from the grip during the discharge process.
2. The grip will enter hibernation mode if depleted and stored for a long period. Recharge the grip to bring it out of hibernation.
3. Remove grip from the gimbal when stored for an extended period.

Grip Maintenance

1. Battery life may be reduced if not used for a long time.
2. Discharge and charge the grip completely once every three months to keep it in good condition.

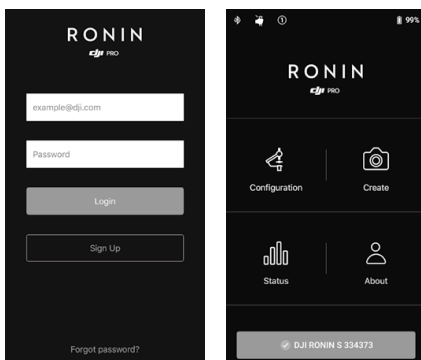
Grip Disposal

1. The grip is disabled and the battery cannot be fully discharged, please contact a professional battery disposal/recycling agent for further assistance.
2. Dispose of the grip immediately if it cannot be powered on after over-discharging.

Activating Ronin-S

Make sure the camera is balanced before powering on Ronin-S. Do not turn on Ronin-S without a balanced load, as doing so may damage the gimbal motors.

1. Press the power button once to turn on the grip, and then press and hold the gimbal power button to turn on the gimbal.
2. Enable Bluetooth on your mobile device and launch the Ronin app. Select Ronin-S and input the default Bluetooth password 12345678 once it's detected.
3. Make sure you are connected to the internet and follow the on-screen instructions to activate Ronin-S for the first time.
4. After activation, double tap the gimbal power button to engage the motors before proceeding.



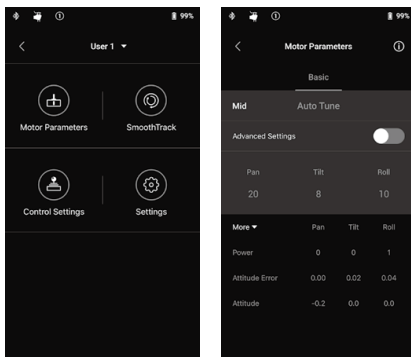
Operation

Ronin App Settings

After balancing and powering on the Ronin-S, you can adjust gimbal settings through the Ronin App.

Configuration

Motor Parameters



There are Stiffness, Strength, Filter and Control settings in the motor settings page. Stiffness should always be adjusted in accordance with the total payload mounted onto the gimbal, and the others are advanced settings. It is recommended to leave the settings as default.

Stiffness: The motor stiffness adjustment allows you to fine-tune the amount of power that is applied by the motors as they react and balance the weight on each axis. Please make sure you leave an extra margin for this setting to ensure stability at all times.

Auto Tune: Stiffness value is determined by the gimbal system according to the payloads of the gimbal. There are three tuning aggressiveness profiles so you can adjust the calculated stiffness value with ease. For most cases, we recommend using the 'Mid' or 'High' profile for the best robustness. For scenarios where you need to move slowly with a more mellow feel, you can use the 'Low' profile.

For example, when the payload is 1.8 kg, a 'High' Stiffness value provided by Auto Tune may come out to 45, so selecting the 'Mid' results in a Stiffness value of 36, and selecting the 'Low' results in a Stiffness value of 27.

After selecting the tuning profile, simply tap 'Auto Tune'. The Ronin-S will automatically work out the optimal result based on the weight of the setup. Alternatively, you can press and hold Ronin-S' M button and front trigger simultaneously for four seconds to start Auto Tune without using the App.

The Auto Tune process takes approximately 40 seconds. After Auto Tune, you can see detailed motor diagnostics at the bottom of the page. If the gimbal is properly balanced, the Power value of the motors should be in the range of ± 5 . If Power consumption on a particular axis constantly goes beyond that range, you will need to check your unit's mechanical balance.



- Ensure the Ronin-S is placed on a steady platform, and working in Upright mode and centered when using Auto Tune.
 - If mounting the Ronin-S on a car, it is recommended to adjust the Stiffness value manually after Auto Tune is complete. Manually tune the Stiffness as high as possible until you feel the gimbal start to vibrate. Then back down the Stiffness values.
 - Be sure the gimbal is balanced and Stiffness values are tuned properly every time you change the camera or lens.
-

By tapping the Advanced Settings toggle, you will be able to see Strength, Filter and Control tabs. We recommend leaving these three parameters as default for most cases. Users can still adjust them with proper experience.

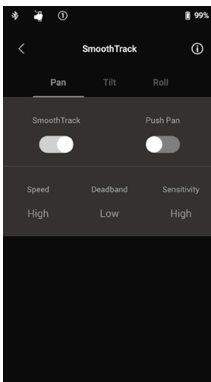
Strength: It is recommended to leave this setting as default. The motor strength adjustment allows you to minimize Ronin-S' attitude error. This parameter affects how quickly the Ronin-S will react to changes in orientation. If you see any unusual attitude errors, you may minimize it by increasing the corresponding motor's strength. However, increasing strength too much may also cause the Ronin-S to over adjust its orientation and induce shake. When the Strength value is set to 10, and the pan axis cannot stop immediately after a fast rotation, try to decrease the value to 6.

Filter: This setting can ease high-frequency vibrations of the Ronin-S. When the Ronin-S is vibrating at a high frequency, you may experience numbness while touching the gimbal motors of each axis. In such instances, it is recommended to lower the Filter settings.

Control: It is recommended to leave this setting as default. Control can guide the Ronin-S to better handle low-frequency vibrations. If your Ronin-S vibrates at a visible range, you can suppress it by increasing Control. When the vibration persists at low frequency, then decrease Control. Adjusting Control to optimal settings may take readjustment.

⚠ It is recommended to use the joystick to test the pan and tilt axis. Control the pan and tilt axis to all angles to see if shaking occurs. It is normal if the pan or tilt axis shakes one time and doesn't shake after that.

SmoothTrack



SmoothTrack enables the Ronin-S to react to the operator's movement without a remote operator.

The settings for the pan, tilt, and the roll axes can be independently adjusted. Low, Medium, High and Custom settings are provided for Speed, Deadband and Sensitivity settings.

The speed will determine how fast the camera will travel while translating a pan, tilt, or roll movement.

Deadband will determine how much movement the gimbal will tolerate prior to translating the camera's pan, tilt, and roll movement.

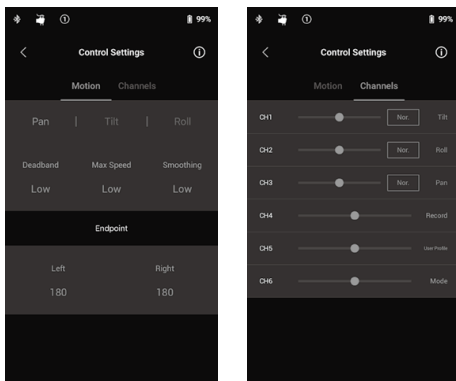
Sensitivity determines how closely the camera will follow the translated pan, tilt, and roll movement. When the Sensitivity is set to a high value, the gimbal will reach its maximum speed more quickly which makes the Ronin-S capable of keeping the subject in frame in a constant fast-moving scene.

Enable the Push feature to allow the pan, tilt and roll axes to be adjusted by hand when the Ronin-S is turned on.

If the highest Speed and Sensitivity values are still not fast enough, you can try activating the Sport Mode of Ronin-S by pressing and holding the M button. In Sport mode, Ronin-S will maximize its responsiveness while maintaining stability of the camera to help you capture stunning fast transition shots or keep a high-speed subject in frame properly. This makes the Ronin-S ideal for handheld fight or chase scenes.

Control Settings

Use the Joystick to control the gimbal movements. To set up the joystick, enter the Control Settings page.



Motion

You can set up the joystick control by adjusting Deadband, Max Speed, Smoothing and Endpoint, for each axis, and there are 3 default profiles for each settings.

Deadband: When this value increases, more stick movement will be required to translate into actual movement of the gimbal.

Max Speed: Allows you to adjust the remote-controlled rotational speed.

Smoothing: When this value increases, and when control stick input is released it will be translated into smoother and slower movement. If smoothing is set to 0, the ramp down will be translated as an abrupt stop.

Endpoint: Limits the gimbal's rotation range by setting the control endpoints. The Pan axis of Ronin-S utilizes a slip-ring therefore it could rotate continuously when the endpoints on left and right are both set to 180°. On Tilt axis, you can setup the endpoints on the up and down direction according to your setup. Some longer lenses might hit the gimbal frame so you can set the endpoint angle to prevent such cases.

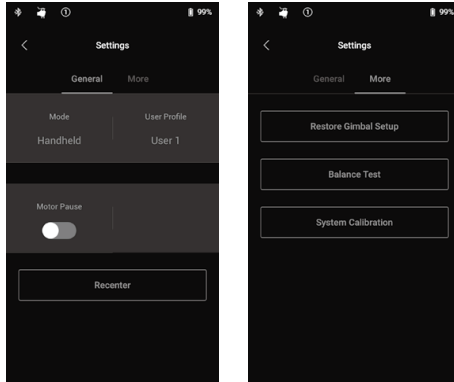
Channels

The channel indicator provides feedback during remote operator configuration. Pan, tilt, and roll can have channels reassigned. Each axis can also be reversed. Normal means the movement directions is the same as the joystick, and tap to reverse the direction.

When using the built-in joystick, you can only control CH1 and CH3, which is mapped to Tilt and Pan axes by default. You can customize channel mapping by tapping on the axis name on the right of the page.

When using with a third-party controller, you may able to control the three axes movements.

System Settings



General

You can change the mounting mode in between Handheld and Car Mount to best suit your shooting plan.

You may also switch in between different user profiles directly. The User 1, 2 and 3 profiles provide different default settings for SmoothTrack, Control Settings and Auto Tune.

	SmoothTrack					Control Settings			Motor Parameters
		Speed	Deadband	Sensitivity	Status	Deadband	Max Speed	Smoothing	Auto Tune Grade
User 1	Pan Axis	Low	Medium	Low	On	Medium	Medium	Medium	Medium
	Tilt Axis	Medium	Low	Low	On	Medium	Medium	Medium	
	Roll Axis	Low	Medium	Low	Off	Medium	Medium	Medium	
User 2	Pan Axis	Low	Medium	Low	On	Medium	Medium	Medium	Medium
	Tilt Axis	Medium	Low	Low	Off	Medium	Medium	Medium	
	Roll Axis	Low	Medium	Low	Off	Medium	Medium	Medium	
User 3	Pan Axis	High	Low	High	On	Low	High	Low	Medium
	Tilt Axis	High	Low	High	On	Low	High	Low	
	Roll Axis	High	Low	High	Off	Low	High	Low	

Motor Pause can temporarily disengage motors of the Ronin-S so that you can swap your lenses, change the cameras battery or just take a break after shooting. The Ronin-S will recenter after unpausing the motors automatically.

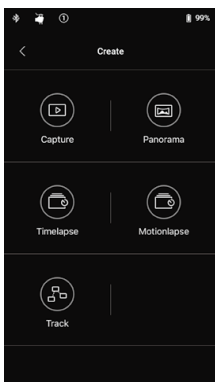
Tapping the Recenter button will get the gimbal back to its center position on all three axes.

More

Tapping the Restore Gimbal Setup will restore the applied user profile to default settings. Tapping the Balance Test, the Ronin-S will check the balance status and provide a score for each axis. Ensure there is no obstruction of the gimbal before balance testing.

System Calibration

Use only if you notice drift on any of the axes. To calibrate the system, make sure the gimbal is completely steady, preferably sitting on an even flat surface. Be sure the camera can rotate 90° with the lens pointing straight forward, without any interference from any wires. Select Calibrate System and let the process finish before picking up the Ronin-S.

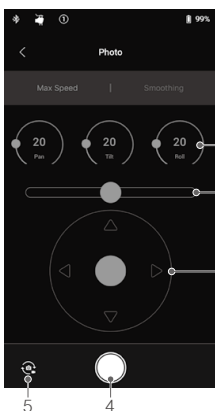


Create Features

Ronin-S features a set of Create features that can bring automation to a creator's projects, including Capture, Panorama, Timeapse, Motionlapse and Track.



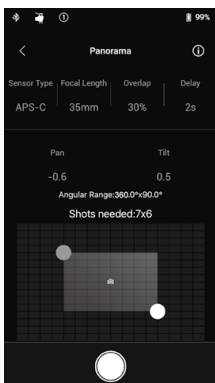
- It's recommended to set your camera to electronic shutter or silent shutter to reduce interference by the mirror slap from a DSLR when using the create features. Not doing so may result in shakiness during photo capture.
- It's recommended to mount the Ronin-S on a tripod or motorized gliders when using the create features for the best results.



Photo

The Photo feature is designed to allow intuitive remote control on your mobile device.

1. Control Dial: You can adjust the joystick Max Speed and Smoothing by turning the virtual control dial.
2. Roll Stick: Control gimbal Roll axis movements using the virtual joystick.
3. Pan/Tilt Stick: Control gimbal pan and tilt axis movements using the virtual joystick.
4. Shoot/Record Button: Tap to start shooting photos or record video.
5. Photo/Video Toggle: Tap to switch between photo and video recording modes (keep the mode the same as the camera settings).



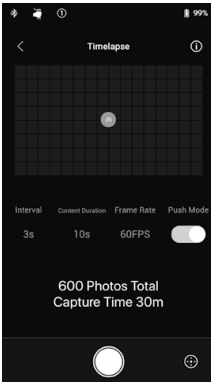
Panorama

The Panorama mode allows you to capture a series of interconnecting still images with precise control based on your sensor type, lens focal length, and desired overlap rate. The Delay parameter is designed to improve image quality by ensuring the gimbal stays still after the camera shutter has been triggered.

After setting up the camera related part, you can set the panorama range by dragging the blue and white dot on the grid map. You can directly view the total range covered by the current endpoints and also shots needed to compose the final panorama image above the grid map. Thanks to the slanted Roll motor design, you can view the path of the panorama through the built-in display of the camera with little obstruction.

The Tilt axis range in Panorama mode is $\pm 45^\circ$ to avoid capturing the gimbal in the shot while the Pan axis range allows you to capture a full 360° rotation.

Tap the shoot button to start capturing the sequence.

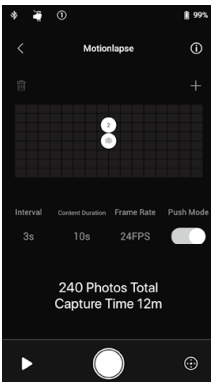


Timelapse

In Timelapse mode, the Ronin-S will trigger the camera to capture still images with your desired interval time and will automatically stop when it's done. You can set up the desired content duration for the final output timelapse clip and your project frame rate so that Ronin-S can calculate the exact number of images required.

The Push feature on Pan and Tilt axes will be automatically enabled as you launch the Timelapse feature in the app, so you can push the Ronin-S to alter camera orientation and frame your Timelapse shot intuitively.

Tap the Virtual Switch to adjust the camera orientation by using the virtual joystick.



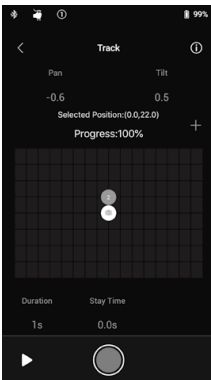
Motionlapse

Motionlapse allows you to set up to 5 waypoints/key frame positions for your timelapse shot to add more motion in the content.

To adjust a waypoint's position, tap on the waypoint to select it first, then simply push the Pan and Tilt axis. You can also use the virtual joystick to control the Pan, Tilt and Roll axis as well.

To add another waypoint, tap the highlighted waypoint icon to de-select it and then tap the '+' icon above the grid map on the right. Then move the gimbal to the next desired waypoint position. To delete a waypoint, select the waypoint then tap the trash icon.

After setting up the waypoints, you can either tap the preview button to see if the Motionlapse course includes everything you like in the Motionlapse content or tap the capture button right away to start shooting.

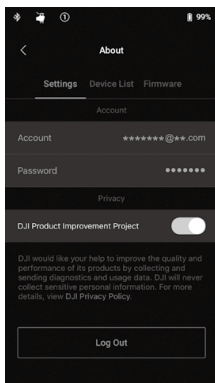
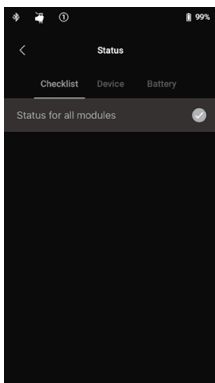


Track

The Track feature is designed to capture video with up to 10 waypoints. The travel speed in between 2 waypoints can be set as desired allowing you to couple Ronin-S with other platforms such as a motorized slider or an RC buggy to automate gimbal movement.

You will need to drag the waypoint icon to alter its position. The Duration parameter beneath the grid map indicates how much time the gimbal will travel from the previous waypoint to the current one. Stay Time determines how long the gimbal will hold steady at the waypoint position before it starts moving towards the next waypoint.

⚠ When pressing REC on the gimbal, don't use the camera's native record button.



Status

Displays the real-time status of the gimbal, connected devices, and batteries.

About

Displays your account information, firmware version, and more.

Button Functions

Power Button

1. Press and hold to power on the gimbal.
2. Press twice to pause the gimbal's motors, and press twice again to unpause.

M Button

1. Press once to switch the user profiles.
2. Press and hold to enter Sport mode.
3. Rapidly press six times to restore the applied user profile and the Bluetooth password to default settings.

Trigger

1. Press and hold to enter Lock mode.
2. Press twice to re-center the gimbal.
3. Press three times to turn the gimbal 180° so that the camera faces you.
4. Press four times and hold to begin Joystick Calibration.
Joystick calibration is only required if the gimbal drifts (if the gimbal moves by itself without input from the joystick). During calibration, push and pull the joystick several times as far as it will go in all directions. Press four times and hold the trigger again to complete calibration.
The calibration has failed if the LEDs blink red. If they do try to go through the calibration process again.
5. Press and hold Ronin-S' M button and trigger simultaneously for four seconds to start Auto Tune. The default Auto Tune grade is Medium.

Joystick

The joystick is already set to default: push the joystick up or down to control the movement of the tilt axis, and push it left or right to control the movement of the pan axis. Go to the Control page to adjust the parameters for the pan, tilt and roll axes.

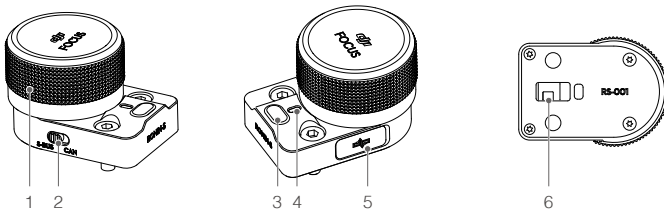
Camera Control Button

1. Press halfway to auto focus, as you would for the shutter button on most DSLR cameras.
2. Press once to start/stop recording.
3. Press and hold to take a photo.

Focus Wheel

The Focus Wheel is used for controlling camera focus. When a compatible camera system connects to the Ronin-S, you can pull focus via the included cable.

Button Functions



1. Focus Wheel

Rotate to control camera focus.

2. CAN/S-Bus Switch

Switch to the corresponding connected receiver.

CAN: switch to the CAN position when connected to the DJI Pro Wireless Receiver.

S-Bus: switch to the S-Bus position when connected to a third-party remote-control system (e.g. Futaba).

3. Multifunction Button

One click: a-b-point calibration (when connected to an external focus motor).

Double click: a double-click will perform a travel calibration when connected to an external focus motor.

Click and hold on: flips the control direction.

4. Status Indicator

Shows the focus wheel's current working status.

Single red blinking: disconnected.

Double red blinking: the module requires a firmware update.

- Solid yellow: external focus motor detected without travel calibration.
- Single yellow blinking: external focus motor is being travel calibrated.
- Solid green: connected to a camera with electronically controlled focus supported, or connected to an external focus motor with travel calibration complete.
- Single green blinking: external focus motor's a-point end is set.
- Double green blinking: external focus motor's a-b-point ends are set.

5. CAN Port (5 V)

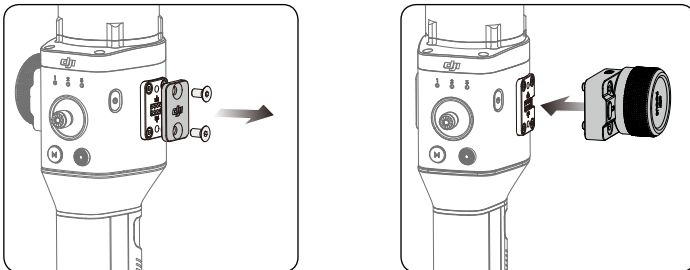
Used to connect a wireless receiver.

6. 8-pin Contact

Used for power supply and transmitting control command data.

Installation

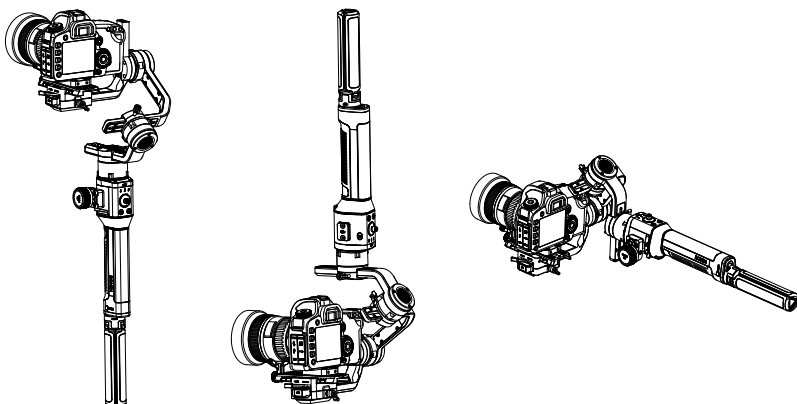
There are two 8-pin ports located on each side of the gimbal. The focus wheel is mounted on one side by default, but can also be mounted to the other side. To mount the focus wheel to the other side, remove the protector from the port first.



⚠ Please note that other Ronin-S accessories can be mounted to the 8-pin port. Use the protector when the port is not in use.

Operation Modes

There are three operation modes for the Ronin-S: Upright mode, Underslung mode and Flashlight mode.



Roll 360 is available when using the Ronin-S in Flashlight mode. Thanks to the slip-ring on the Pan axis, the Ronin-S is capable of performing a continuous roll rotation.

To set up the Ronin-S for Roll 360, first you need to connect to Ronin-S with the Ronin App. Next go to the Channels setting page (under Configuration > Control Settings > Channels) and re-map CH3 to the Roll axis (originally mapped as Pan axis) and also set the CH1 as N/A to avoid any input on the Tilt axis. Then hold the Ronin-S in the Flashlight mode and double tap the front trigger to re-center the gimbal orientation. Simply push the joystick left or right to get the gimbal rolling continuously.

Updating Firmware

Download the DJI Pro Assistant for Ronin and update the firmware if there is new firmware released for Ronin-S. Follow the steps below to update the firmware:

1. Connect the Ronin-S to your computer via the USB-C Cable.
2. Click “Upgrade” and wait for the download to finish.
3. Click “Upgrade” again and then click “Confirm”.
4. Power the Ronin-S off and then on after the update is complete.



- Ensure that your computer is connected to the Internet.
 - Do not disconnect the USB cable during the update.
 - If the firmware update fails, restart the Ronin-S and retry.
-

Maintenance

The Ronin-S is a precise machine, and its power/data ports are not waterproof. Be sure to protect them from dust and water during use. After use, it is recommended to wipe the Ronin-S down with a soft dry cloth. Never spray any cleaning liquids onto the Ronin-S.

Specifications

General

Built-In Functions	<ul style="list-style-type: none">• Operation Modes Upright Mode, Underslung Mode, Flashlight Mode• Mounting Modes Handheld, Car Mount Mode• Built-in, independent IMU modules• Advanced 32-Bit ARM Processor• DJI Specialized Gimbal Drive Motors with Encoders• Bluetooth Module• S-Bus Receiver Supported• DJI Pro Wireless Receiver Supported• Extended GPS Supported• USB-C Port• 360° continuous rotation through Slip Ring• Three profile settings, including SmoothTrack and joystick parameters• Virtual Joystick operation supported• Timelapse, Track, and Panorama supported• Roll 360 rotation supported• Sport mode supported• Control Sony, Canon, Nikon, and other DSLR and mirrorless cameras through the dedicated DJI camera control cable• DJI Focus, Command Unit supported
--------------------	---

Peripheral

Camera Tray Dimensions	Maximum depth from the center of gravity on the camera base plate: 98 mm Maximum height measured from top of the camera base plate: 150 mm Maximum width: 205 mm
Accessory Ports	Mechanical: 1/4"-20, 3/8"-16 Mounting Hole, M4 Mounting Hole Electrical: 12V/2A Power Accessory Port, Camera Control Port, 8-pin Port
Input Power	Model: RB1-2400mAh-14.4V Type: 18650 LiPo Capacity: 2400 mAh Energy: 34.56 Wh
User Interface	Bluetooth 4.0; USB-C
DJI Pro Assistant for Ronin Requirements	Windows 7 or above; Mac OS X 10.11 or above
Ronin App Requirements	iOS 9.0 or above; Android 4.4 or above

Mechanical & Electrical Characteristics

Working Current	Static current: ≈ 0.16 A
Bluetooth Operating Frequency	2.4 to 2.48 GHz
Bluetooth Transmitter Power	0 dBm
Operating Temperature	-4° to 113° F (-20°C to 45°C)
Weight	Approx. 3.3 lb (1.5 kg) (gimbal only) Approx. 4.1 lb (1.86 kg) (gimbal and grip included)
Dimensions	Approx. 202×185×486 mm

Working Performance

Load Weight (Reference Value)	7.9 lb (3.6 kg) (handheld)
Angular Vibration Range	$\pm 0.02^\circ$
Maximum Controlled Rotation Speed	Pan axis: 360°/s Tilt axis: 360°/s Roll axis: 360°/s
Mechanical Endpoint Range	Pan axis: 360 ° continuous rotation Tilt axis: +185° to -95° Roll axis: 360 ° continuous rotation
Controlled Rotation Range	Pan axis: 360 ° continuous rotation Tilt axis: +180° to -90° (Upright Mode), +90° to -135° (Underslung and Flashlight Mode) Roll axis: $\pm 30^\circ$, 360° continuous rotation (Roll 360 Mode)

Contents are subject to change.

Download the latest version from
<http://www.dji.com/product/ronin-s>

If you have any questions about this document, please contact DJI
by sending a message to DocSupport@dji.com.

RONIN is a trademark of DJI OSMO. Copyright © 2018 DJI OSMO All Rights Reserved.