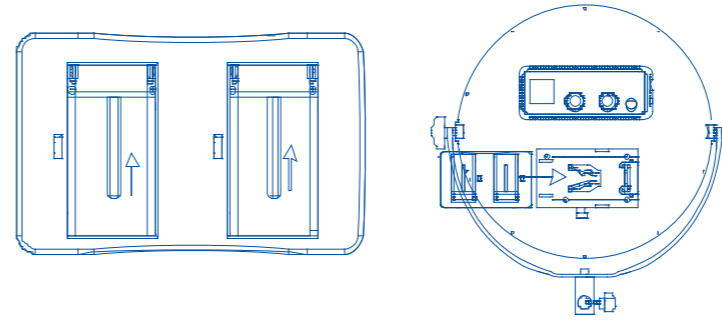
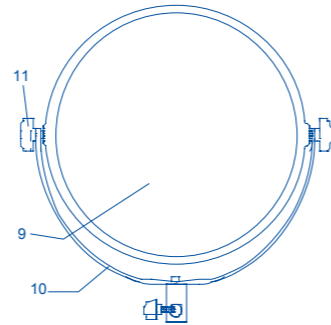


Front Side:

- 9. LED Panel
- 10. Mounting Bracket
- 11. Locking Nuts



Technical Specs

Color temperature	3200K - 5600K
Brightness range	0% - 100%
Max. brightness / illuminance	1100Lux @ 1M
Max.Power	40W @ full power
Color rendering index	95+
Input power	AC/DC adaptor operation voltage: 100-240VAC
Battery operation	V-Mount battery / F type battery x2 with adaptor
LED number	5600K cool color 136PCS and 3200K warm color 136PCS
Certificate	AC / DC adaptor certificate for GS / CUL / C-tick
Dimension	428mm x 33mm x 433mm
Weight	1520g (not include battery)

Please note:

- Do not shine the VLED directly at people’s eyes at short distances. This can cause short-term vision issues. Use at distances of at least 1m from subject – or use a reflector/diffuser to soften the light.
- Do not place the VLED close to alcohol or flammable objects.
- Do not place liquids on or near the VLED. The product is not water, splash or dust resistant.
- Use a soft cloth and neutral cleaner to clean the VLED light. Do not use strong cleaning agents or solvents such as thinners, gasoline or alcohol to clean the VLED light.
- Do not store the VLED at temperatures of +40C as high temperatures may damage the product components.
- Do not use the VLED in outdoors in direct sunlight for an extended period of time to prevent the product from overheating and possible damage.

Mounting and Adjusting the Nuada R3

1. Use the Mounting Bracket to mount the Nuada R3 to a Light Stand or other mount. The Nuada R3 can be mounted horizontally or vertically.
2. Ensure the Mounting Bracket Locking Nut is securely fastened.
3. Loosen and tighten the Locking Nuts on the Mounting Bracket to adjust the Nuada R3 angle.

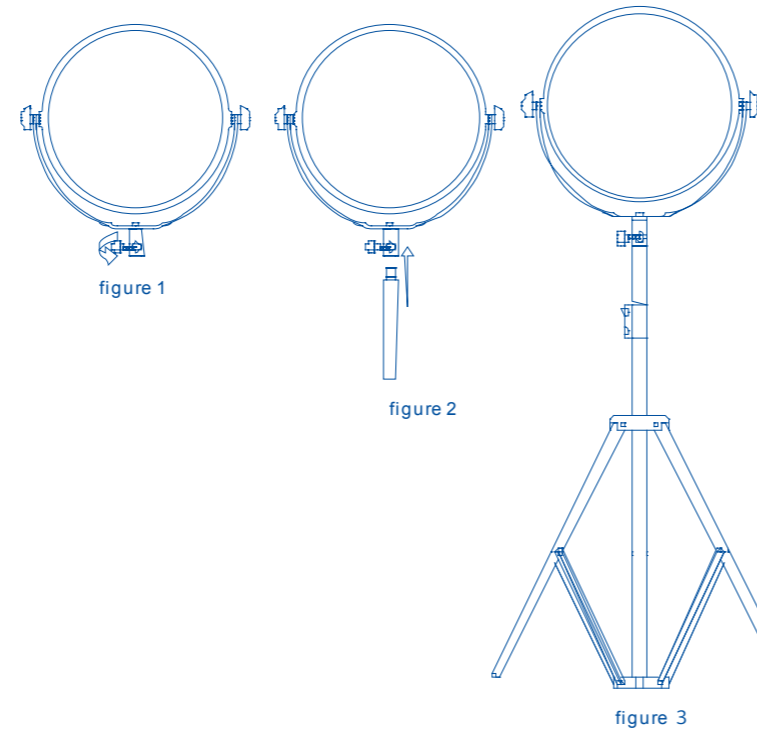


figure 1

figure 2

figure 3

To use NP-style Batteries.

1. Align V-Mount to NP adapter with the Battery Port
2. Slide the adapter until locked into position.
3. Insert 2 NP batteries into the adapter
4. Move the Battery / AC Power Mode Switch to the Battery position.

Please Note:

The Nuada R3 will only operate with 2 NP-style batteries being used.

Removing Batteries

1. Push and hold the Battery Lock Button.
2. Slide the V-Lock or NP Adapter from the mount.
3. If using NP Batteries in the NP Adapter, remove the Batteries.

Using AC Power

1. Connect the AC Adapter to the AC Power Port on the Nuada R3.
2. Plug the other end of the AC Adapter into mains power.
3. Move the Battery / AC Power Mode Switch to the AC position.

Turning Power On / Off

1. Press and hold the Power Button to turn the Nuada R3 on.
2. Press and hold the Power Button to turn the Nuada R3 off.

The LED Display

- On the Nuada R3 LED Display
- Brightness displayed by the top digits – from 00-100%
- Color Temperature is displayed by the bottom two digits – from 3200K-5600K.
- The estimated remaining battery power is indicated by the battery icon.

Adjusting Brightness and Temperature

1. Turn the Brightness Adjustment Dial to adjust the Nuada R3 output from 00–100%
2. Turn the Color Temperature Adjustment Dial to adjust the Nuada R3 color temperature from 3200K-5600K

What’s included:

1. Nuada R3 VLED Panel
2. V-Mount to NP-F Type battery adapter
3. AC Adapter
4. EU plug
5. US plug
6. UK plug
7. SAA plug
8. Black Carrying Bag

Features

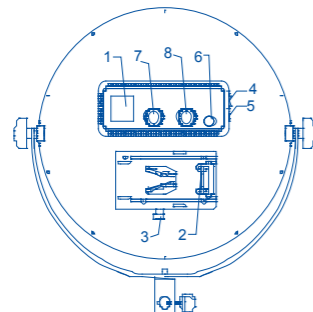
The Phottix Nuada R3 VLED Video LED is a powerful light source for still and video photography. It uses the latest in flicker-free LED technology, making it efficient and durable. The Nuada features:

- Softlight design for 40W of flattering light
- Excellent color - CRI rating of 95+
- Digital Brightness and Temperature Control
- Battery and AC Power Modes
- Compact size – 12mm thick

Parts

Back Side:

1. LED Display
2. V-Lock Battery Mount
3. Battery Lock Button
4. Battery / AC Power Mode Switch
5. AC Power Port
6. Power Button
7. Brightness Adjustment Dial
8. Color Temperature Adjustment Dial

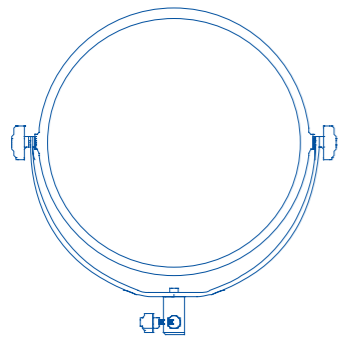


Mounting Batteries

The Nuada R3 uses Sony-compatible V-Mount batteries, or Sony-compatible NP style batteries using the included adapter.

To use V-Mount Batteries

1. Align battery in Battery Port
2. Slide battery until locked into position.
3. Move the Battery / AC Power Mode Switch to the Battery position.



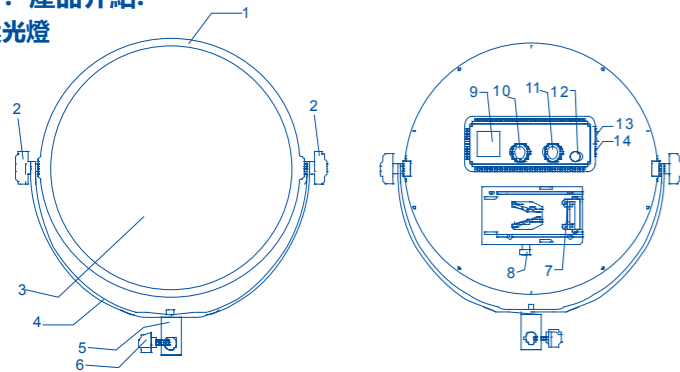
安全須知：

- 避免用本產品於近距離對人眼直接照射以避免短暫性影響視力。建議近距離使用時加上柔光罩
- 請勿將本產品存放在酒精或易燃物品附近，以免發生危險
- 請勿將本產品放置於液體附近，本產品沒有防水，防濺及防塵功能。
- 不要使用稀釋劑，酒精等有機溶劑來清潔產品表面，以免損壞外殼
- 請勿將本產品存放於攝氏40度以上的地方，避免對內部元件造成損壞
- 在戶外使用本產品時，請勿長時間在被陽光直射的環境下使用本產品，以免因過熱而造成損壞。

產品功能

Phottix Nuada R3 VLED補光燈功率強大，優良光質，適用於攝影及攝錄。備有電池或電源適配器供電模式，LCD顯示，功率及色溫調校

一. 產品介紹: 柔光燈



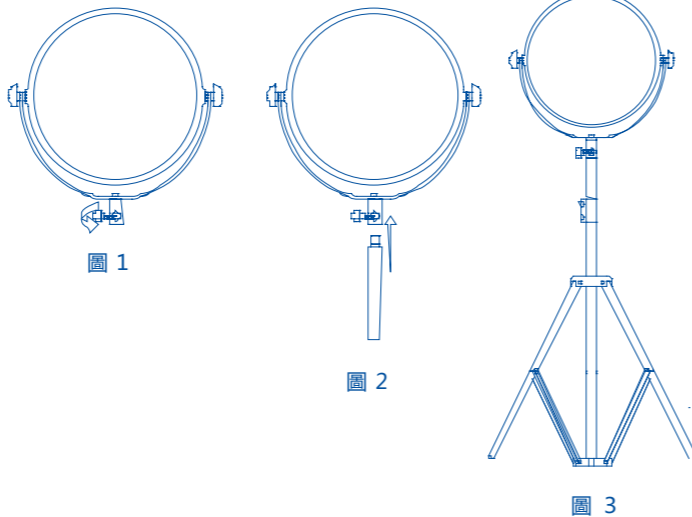
- 1.外框
- 2.角度調節旋鈕
- 3.燈板
- 4.支架
- 5.固定座
- 6.固定座旋鈕
- 7.電源接觸端子

- 8.電池拆卸按鈕
- 9.顯示屏
- 10.亮度調節旋鈕
- 11.色溫調節旋鈕
- 12.ON/OFF按鈕
- 13.電源開關
- 14.DC插座

二. 產品安裝及使用

a. 產品安裝

1. 取出柔光燈，將固定座旋鈕逆時針擰出 (圖 1)。
2. 將三腳架的固定杆插入到固定座的孔位內 (圖 2)。
3. 順時針擰緊固定座旋鈕，將柔光燈固定於三腳架上 (圖 3)。




b. 角度調節

1. 將柔光燈左右兩側的角度調節旋鈕逆時針擰鬆至燈面可以前後轉動。
2. 將燈面調節至所需角度。
3. 將左右兩側的角度調節旋鈕順時針擰緊。

c. 供電/開關機


1. V-Mount電池供電

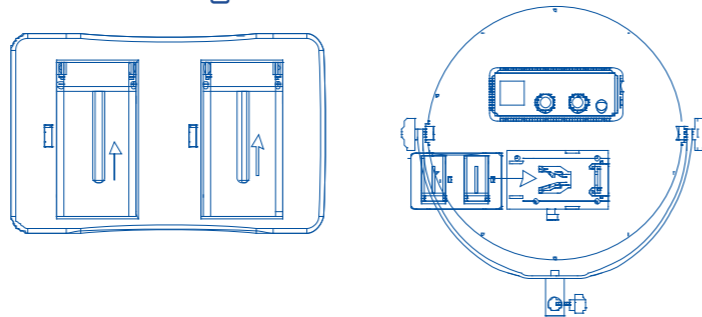
1. 取一顆V-Mount電池，將電池的V型扣與電池座上的卡座對應，然後往電源端子方向推動，聽到響聲後，電池安裝完成。
2. 將電源開關撥動到“ ”端，即可使用電池供電及開啟LED。

2. 適配器供電

1. 將與產品相匹配的適配器連接好電源。
2. 將電源開關撥動到“ ”端，產品正常開機。

3. 通過NP轉接卡座索尼F970轉V口卡座使用索尼NP-F系列電池供電。

1. 將產品標配的NP轉接卡座同V-Mount電池一樣卡入到產品的電池座上。
2. 將兩顆索尼NP-F系列的電池卡入到NP轉接卡座的電池倉內。
3. 將電源開關撥動到“ ”端，即可使用適配器供電及開啟LED。



4. 關機

在開機狀態下，將電源開關撥動到“ ”端關機。

d. 功能、顯示

1. 顯示

產品開機後，LCD顯示幕會被點亮，此時顯示幕上會顯示亮度，色溫以及電池電量資訊。

注：此產品的電量以93W/h的V-Mount電池放電為標準，使用其他型號容量的電池，其電量信息可能存在些許偏差。

2. 亮度調節旋鈕

產品開機後，順時針旋轉亮度調節旋鈕，亮度會以1%遞增。最大值100%。逆時針旋轉亮度調節旋鈕，亮度會以1%遞減。最小值0。

3. 色溫調節旋鈕

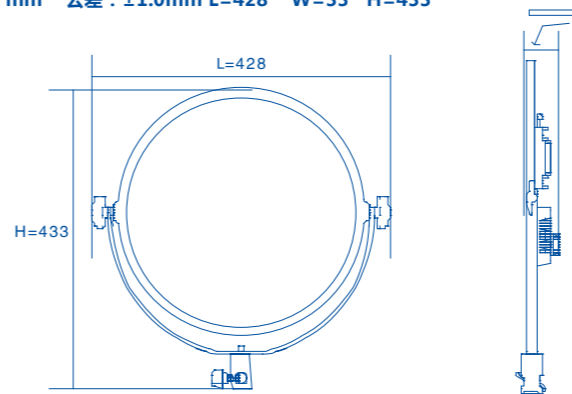
產品開機後，順時針旋轉色溫調節旋鈕，色溫會以100K遞增，最大值5600K。逆時針旋轉色溫調節旋鈕，色溫會以100K遞減，最小值3200K。

4. ON/OFF按鍵

在開機狀態下，按下ON/OFF按鍵，產品會關機，再次按下ON/OFF按鍵，產品開機。在使用ON/OFF按鍵時，電源開關必須處於正常開機供電狀態。

三. 產品尺寸

單位：mm 公差：±1.0mm L=428 W=33 H=433



四. 產品參數:

專案	規格
LED 數量	5600K冷色136顆和3200K暖色136顆
最大功率	40W
最大照度	1100LUX /1m
色溫範圍	3200-5600K以100K調整
顯色指數	CRI>95
控制方式	編碼器調節 三檔船形開關 ( 關,  電池,  外接適配器)
調光範圍	0-100%
供電方式	V-Mount電池, 適配器 NP轉接卡座索尼F970轉V口卡座
連接口	DC插座 (內正外負)
產品淨重	1520g
工作環境溫度	0°C~40°C
儲存溫度	-10°C~50°C
相對濕度	20%~90%
產品尺寸	428mm*33mm*433mm

附件:

Nuada補光燈本體
電源適配器
插頭(英規)
插頭(美規)
插頭(歐規)

插頭(澳規)
NP-F電池轉接卡座
說明書
便攜袋

電池適配器參數

型號: RC0653-1504000CI

輸出: DC 15V 4A

輸入: AC 100-240V~50/60Hz 1.5A

Phottix®

Warranty Card

Phottix Warranty Card

Phottix offers warranty service and/or replacements that comply with local regulations. For full information see: phottix.com/warranty

Keep this card – do not lose.

Phottix保修卡

Phottix將會按當地法規提供保修 / 更換服務。詳情請查看閱Phottix網站phottix.com/warranty

請小心保存此卡，不要遺失