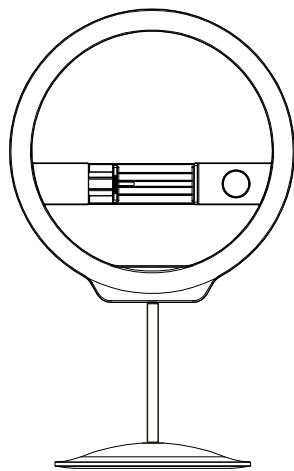


YN128

LED 美颜补光灯
Beauty LED Light

(3200K-5500K使用说明书)



感谢您使用YN128美颜补光灯，在使用产品前，请认真阅读说明书并妥善保管以便查阅。

功能简介

- 1、YN128是一款专注灯光美颜的摄像灯，TLCI、显色指数均超过95，让您无惧素颜直播。
- 2、YN128采用蓝光过滤柔光面板设计，长时间使用更护眼；环形外观设计，轻松拍出圆形眼神光，让你拥有天使般迷人的双眼。
- 3、YN128采用128颗超高显指贴片LED构成，亮度更高，补光更精准可靠，呈现更加唯美的眼神光。
- 4、YN128采用micro USB电源接口，各类手机充电器、电脑USB、移动电源均能为其供电，让您随时随地享受美颜灯光带来的乐趣。
- 5、YN128采用永诺专有的LED恒流驱动技术，拍摄时摄像灯绝不出现波纹、频闪等现象。
- 6、YN128配置软管支架，可任意调节调整您需要的角度；并配备稳重的底座，方便您在桌面等平台上使用。

注意事项

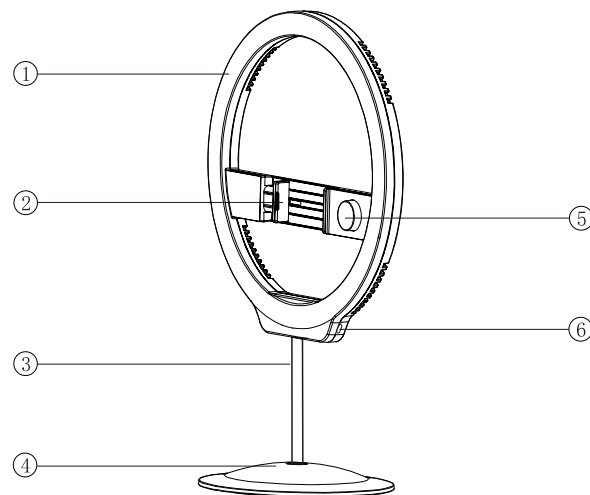
- 1、请勿私自拆卸产品，如产品出现故障须本公司或授权维修人员处理。
- 2、请勿在易燃易爆和暴雨中使用。
- 3、请勿使用电压、电流输出不稳定的直流电源充电器等给本产品供电，以免造成损坏和无法使用。

产品规格

光源	128颗贴片LED	光照角度	110°
色温	3200K和5500K	平均寿命	50000小时
显色指数	大于或等于95	流明值	1024LM
输出功率	7.6瓦	彩盒尺寸	285*276*51毫米
重量	940克	外接电源	手机充电器、移动电源、电脑USB接口供电

所含物品:摄像灯(1)、说明书(1)、底座(1)、软管支架(1)、USB电源线(1)、灯脚(1)
注:如有缺失请与经销商联系

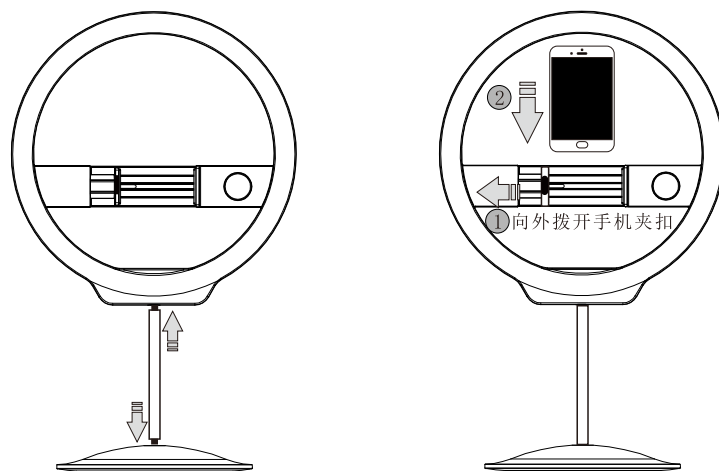
产品结构



- 1、柔光板
- 2、手机固定座
- 3、软管支架（可360度任意调节您需要角度）
- 4、底座
- 5、电源开关/色温调节旋钮（短按开机，再次短按切换调节色温，长按关机）
- 6、电源接口（手机充电器、移动电源、电脑USB接口供电）

安装和固定

1、手机直播和自拍使用

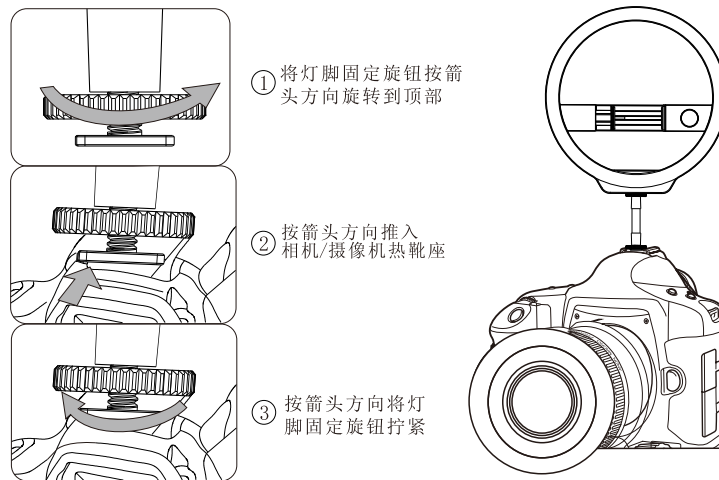


a、通过软管支架将摄像灯和底座连接；软管支架可360度任意调节方向。

b、安装和固定手机

2、人像摄影使用

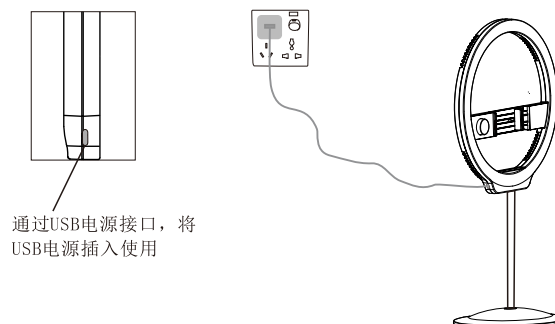
根据您的需要可以通过以下方式固定摄像灯：
固定在单反相机、摄像机热靴上使用（建议使用移动电源供电以方便您的使用）



使用方法

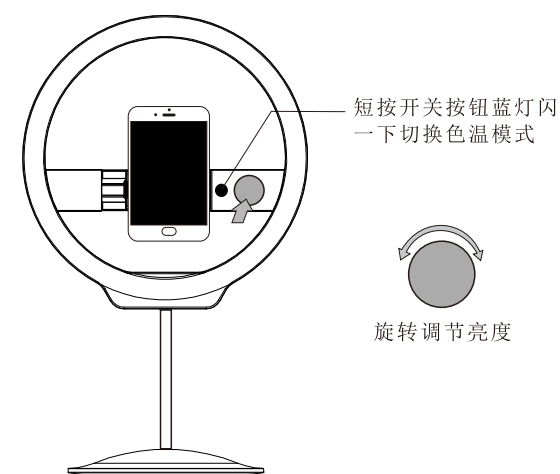
1、外接电源供电

请使用手机充电器、移动电源或电脑含有USB接口供电。
注：若发现灯光不稳定、开到最亮自动熄灭，请更换功率更大的电源或者调小亮度使用。



2、开关机、亮度调节和切换色温

短按电源开关，LED摄像灯点亮；再次短按切换色温模式，长按关机。向右旋转增加亮度，向左旋转减小亮度，5500K色温与3200K色温分为20个亮度等级，有效调节时，蓝色指示灯会伴随闪烁。



故障分析及排除

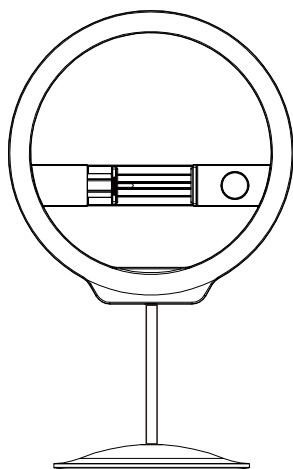
在使用过程中，您可能遇到以下问题：

故障	原因	处理方法
打开电源开关完全无反应	供电电源输出的电压或电流不足	请更换功率更大的电源
	电路板损坏	返厂维修
亮度不足，调至最亮仍然很暗	电源输出的电压电流不足	请更换功率更大的电源或调低亮度使用。

本手册中的功能是依据本公司的测试条件获得，设计和规格如有变更，恕不另行通知

深圳市永诺摄影器材股份有限公司
地址：深圳市坪山区坑梓街道深福保现代光学厂区A座
电话：0755-8376 2448
网址：www.hkyongnuo.com
生产地址：深圳市龙华新区大浪街道大浪社区华宁西路
东龙兴科技工业园2#厂房四楼、五楼东侧
售后电话：400-0013-888

YN128
Beauty LED Light
(User manual for 3200K-5500K)



Thank you for using the YN128 Beauty LED Light. Please read the manual carefully and keep this user manual properly for reference.

Function Introduction

1. YN128 is a beauty LED Light for live camera streaming. Its TLCI and CRI are all exceeded 95.
2. YN128 adopts blue-ray filtering panel design to protect eyes when this LED light is in long-our use. With annular appearance, the circular catch-light can be taken easily, which makes your eyes look charming.
3. YN128 adopts 128pcs of SMD LEDs with high CRI. In the equivalent energy consumption, the luminous intensity is higher, the supplementary lighting is more accurate and reliable, the catch-lights is much more attractive.
4. YN128 has a micro USB power port. With this micro USB power port, phone chargers, computer USB and portable power bank can supply power for YN128, which make it possible to have fun time with YN128 whenever and wherever.
5. YN128 adopts YONGNUO proprietary LED constant current driving technology which does great help to effectively avoid corrugation and stroboscopic flash.
6. For YN128 is equipped with hose support, it can be adjusted to any angle needed. At the meanwhile, for YN128 is equipped with stable stand, you can use it on desktop or other platform.

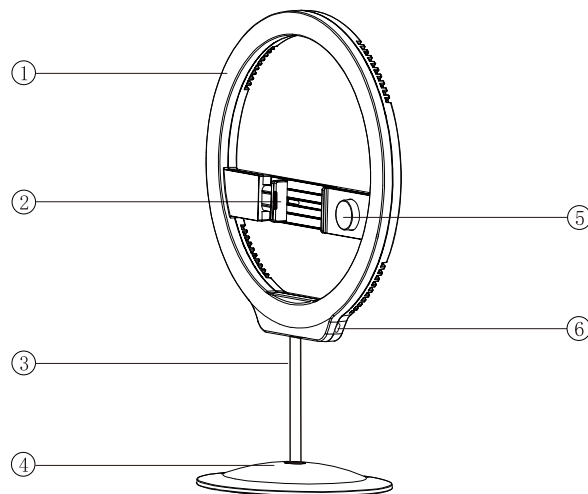
precautions

1. Do not disassemble or maintain this product. If any failure found, please contact YONGNUO Customer Service Center for after-sales service.
2. Do not use this product under the flammable, explosive or raining environment.
3. Do not use voltage-unsteady or current-unsteady DC power charger to charge this product. If not, this product may be damaged and cannot be used.

Product Specifaion

Light Source	128 piece of SMD LEDs	Luminance Angle	110 °
Color Temperature	3200K-5500K	Average Service Life	50000H
Color Rendering Index	≥95	Lumen	1024LM
Output power	7.6W	dimension	285*276*51MM
Weight	940G	External power source	Charged via phone charger, portable power bank, computer USB port
Contents: Video light(1); user manual (1);Stand (1), hose support (1), USB power cable (1); Light base(1). Note: Please contact your dealer if the contents missing.			

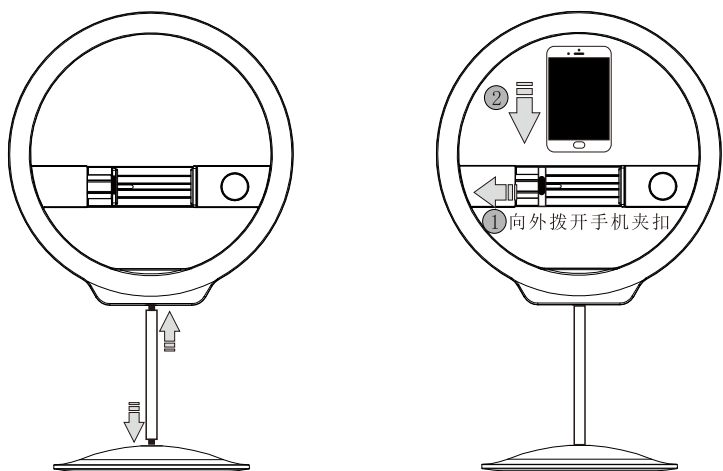
Product Structure



1. Soft-light panel
2. Phone fixed seat
3. Hose support (can be 360-degree adjusted)
4. Stand
5. Power switch/color adjusting knob (short press to turn on; short press again to switch color temperature; long press to turn off)
6. Power port

Method Application

1. For mobile phone live video and Self-portrait use

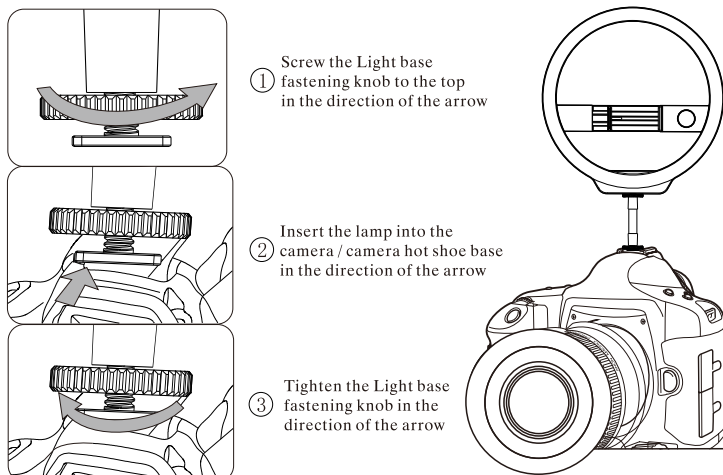


a、Connect LED light to stand with hose support; hose support can be 360-degree adjusted.

b、Attach and fix the phone

2. For portrait photography use

The camera lamp can be fastened as follows as needed.
To SLR/Camera Hot Shoe (Portable charger is recommended for power supply)

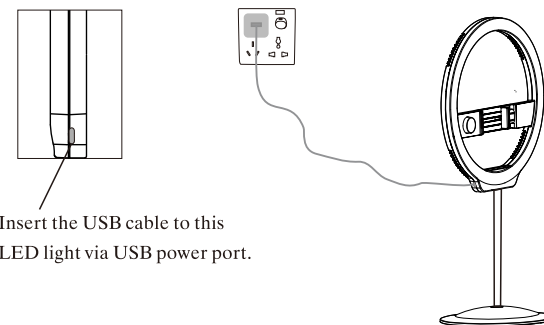


Installation and fixed

1. External Power Supply

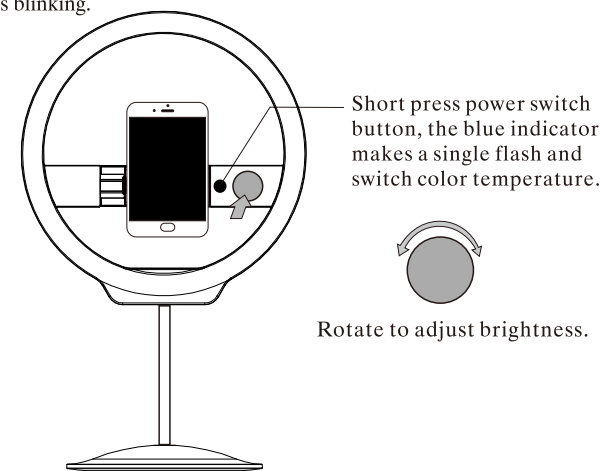
Please charge this LED light via phone charger, portable power bank or computer with USB ports.

Note: If this LED light is found unstable, or this LED light dies out automatically when its power is set to maximum, please change to the power source of larger power or lower the power level.



2. Power switch, Power Adjustment and Color Temperature

Short press power switch button, the LED light turns on; short press it again, the color temperature can be adjusted; long press it to turn off. Rotate towards right side, the brightness increase; rotate towards left side, the brightness decrease. 5000K and 3200K is divided into 20 level. When it's effectively regulated, the blue indicators is blinking.



Failure Analysis and Troubleshooting

When using this product ,you may encounter the following problema:

Description	Cause	Troubleshooting
No reaction after power on	The voltage or current from the power supply is insufficient.	Please change to power source of larger power.
	Damaged circuit board	Depot repair
Inadequate or low luminance at the greatest luminous intensity	The voltage or current from the power supply is insufficient.	Please use it with power source of larger power, or lower the brightness.

The functions in this manual are based on the test conditions of our company. Further notice will not be given if the design and specifications change.

SHENZHEN YONGNUO PHOTOGRAPHY EQUIPMENT Co.Ltd.
Add:Building A, Shenfubao modern optics factory,Kengzi Street,
Pingshan District, Shenzhen
TEL:0755-8376 2448
Wed:www.hkyongnuo.com
Manufacture address:4/F,Building 2, Donglongxing Technology
Park,East Huaning Road, Dalang Street,Longhua District,Shenzhen
After-sales Service TEL:400-0013-888